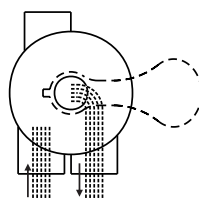


FUNCTIONS OF VALVE POSITIONS

Valve Position	Function
FILTER	Normal Filtration and Vacuuming
BACKWASH	Cleaning Filter by reversing the flow
RINSE	Used after backwash to flush dirt from valve
WASTE	By-passes filter, used for vacuuming to waste or lowering water level
RECIRCULATE	By-passes filter for circulating water to pool
CLOSED	Shuts off all flow to filter or pool

FILTER

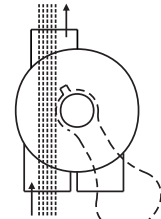
WASTE



IN FLOW OUT FLOW

WASTE

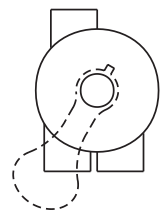
WASTE



IN FLOW OUT FLOW

CLOSED

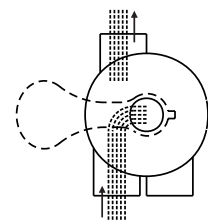
WASTE



IN FLOW OUT FLOW

BACKWASH

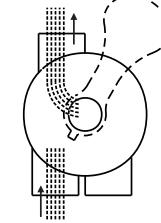
WASTE



IN FLOW OUT FLOW

RINSE

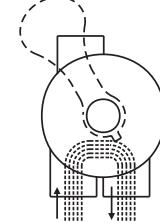
WASTE



IN FLOW OUT FLOW

RECIRCULATE

WASTE



IN FLOW OUT FLOW

GENERAL

- 1) Pipe tap boss provided for optional influent pressure gauge.
- 2) SERVICING VALVE (Stop pump, close gate valve in suction & discharge before proceeding):
 - a) Set handle in filter position.
 - b) Remove cover screws.
 - c) Lift cover and key assembly out.

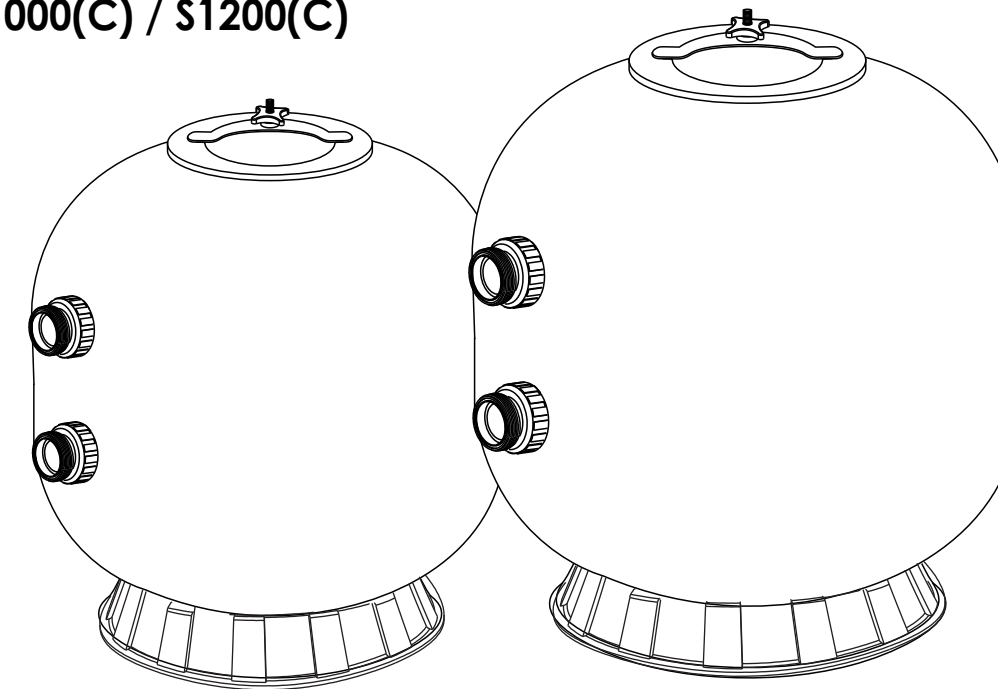
TO ASSEMBLE:

- 1) Place valve key so that wedge opening is at TOP port (handle in Filter psn.). Flat edge of cover screw lug should align with flat edge of body screw lug.
- 2) Position cover O'Ring.
- 3) Secure assembly to body with cover screws. Tighten cover screws evenly and alternately. Do not over-tighten.

WARNING

- ⚠ THIS FILTER OPERATES UNDER HIGH PRESSURE. WHEN ANY PART OF THE CIRCULATING SYSTEM (e.g., CLAMP, PUMP, FILTER, VALVES, ETC.) IS SERVICED, AIR CAN ENTER THE SYSTEM AND BECOME PRESSURIZED. PRESSURIZED AIR CAN CAUSE THE LID OR VALVE TO BE BLOWN OFF WHICH CAN RESULT IN SEVERE INJURY, DEATH, OR PROPERTY DAMAGE.
- ⚠ TURN PUMP OFF BEFORE CHANGING VALVE POSITION.
- ⚠ TO PREVENT DAMAGE TO THE PUMP AND FOR PROPER OPERATION OF THE SYSTEM, CLEAN PUMP STRAINER AND SKIMMER BASKETS REGULARLY.
- ⚠ DO NOT UNSCREW SCREWS OF FLANGE CLAMP WHILE PUMP IS RUNNING.

Models: S1000(C) / S1200(C)



FUNCTION

The filter uses special filter sand to remove dirt particles from pool water. The filter sand is loaded into the filter tank and functions as the permanent dirt removing media. When the control valve is in the FILTER position, the pool water which contains suspended dirt particles, is pumped through your piping system and is automatically directed by the patented filter control valve to the top of the filter tank. As the pool water is pumped through the filter, dirt particles are trapped by the sand bed, and filtered out. The cleaned Pool water is returned from the bottom of the filter tank, through the control valve and back to the pool through the piping system. This entire sequence is continuous and automatic and provides for total recirculation of pool water through your filter and piping System.

After a period of time the accumulated dirt in the filter causes a resistance to flow, and the flow diminishes. This means it is time to clean your filter. With the control valve in the BACKWASH position, the water flow is automatically reversed through the filter so that it is directed to the bottom of the tank, up through the sand, flushing the previously trapped dirt and debris out the waste line. Once the filter is back-washed of dirt, set control valve to RINSE position and run pump for about 1/2 to 1 minute, and then to filter, to resume normal filtering.

NOTE: Turn pump off before changing valve position.

INSTALLATION

Only simple tools (screwdriver and wrenches), plus pipe sealant for plastic adapters, are required to install and service the filter.

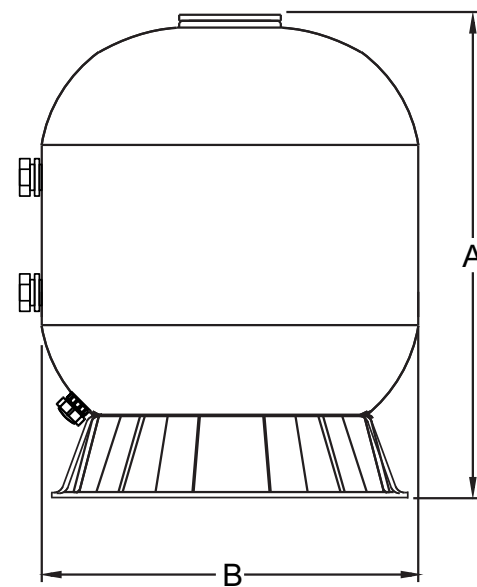
- 1) The filter should be placed on a level concrete slab, very firm ground, or equivalent. Position the filter so that the piping connections, control valve are convenient and accessible for operation and service.
- 2) Loading the sand media. Filter sand media is loaded through the top opening of the filter.
 - a) Connect control valve to the filter using pipes with unions and glues. (see the fig on page 4).
 - b) Loosen the twelve nuts and washers and remove the filter coping.
 - c) We recommend filling tank approximately 1/3 way with water to provide a cushion effect when the filter sand is poured in. This helps protect the under-drain laterals from excessive shock.
 - d) Carefully pour in correct amount and grade of filter sand. Sand surface should be leveled and should come to about the middle of the filter tank.

- 3) Replace filter coping. Put the twelve nuts and washers onto each of the twelve bolts, then screw all the nuts on with wrench, ensuring that all nuts are tight.
 - a) Carefully screw pressure gauge (with O'ring in place) into tapped hole in the filter coping. Do not over-tighten.
 - b) Ensure air relief valve (with O'ring in place) is tight fit to filter coping and turn it easily.
- 4) Connect pump to control valve opening marked PUMP.
- 5) Make return to pool pipe connection to control valve opening marked RETURN and complete other necessary plumbing connections, suction lines to pump, waste, etc.
- 6) Make electrical connections to pump per pump instructions.
- 7) To prevent water leakage, be sure all pipe connections are tight.

MAIN DIMENSION

DIMENSION TABLE

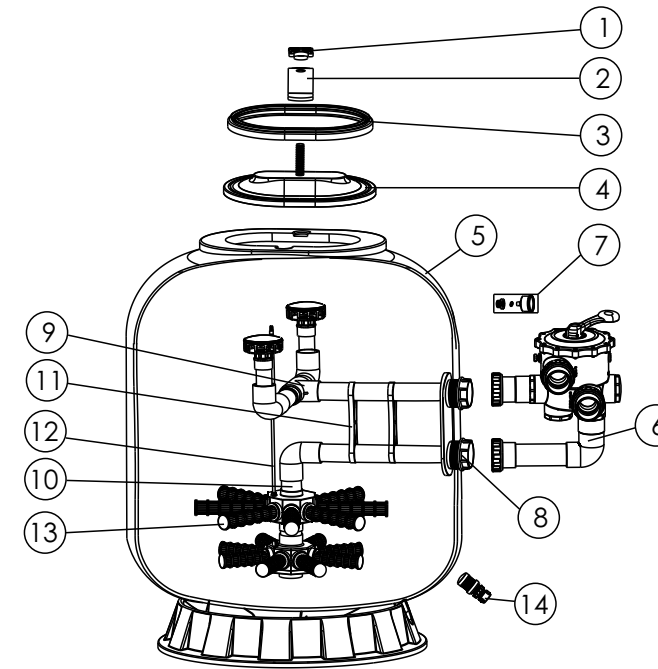
Model	High A mm	Diameter B mm	Valve Port Size Inch	Sand Kg
S1000(C)	1220	1020	2.5"	620
S1200(C)	1410	1220	2.5"	860



INSTALL/START-UP OF FILTER

- 1) Be sure correct amount of filter media sand is in tank and that all connections have been made and are secure.
 - 2) Depress control valve handle and rotate to BACKWASH position. (To prevent damage to control valve seal, always depress handle before turning.)
 - 3) Prime and start pump according to pump instructions (be sure all suction and return lines are open), allowing the filter tank to fill with water. Once water is flowing out of the waste line, run the pump for at least 1 minute. The initial back-washing of the filter is recommended to remove any impurities or fine sand particles in the sand media.
 - 4) Turn pump off and set valve to RINSE position. Start pump and operate until water in sight glass is clear, about 1/2 to 1 minute. Turn pump off and set valve to FILTER position and restart pump. The filter is now operating in the normal filter mode, filtering dirt particles from the pool water.
 - 5) Adjust pool suction and return valves to achieve desired flow. Check system and filter for water leaks and tighten connections, bolts, nuts, as required.
 - 6) Note the initial pressure gauge reading when the filter is clean. (It will vary from pool to pool depending upon the pump and general piping system.) As the filter removes dirt and impurities from the pool water, the accumulation in the filter will cause the pressure to rise and flow to diminish. When the pressure gauge reading is 1.5 bar, higher than the initial "clean" pressure you noted, it is time to backwash the filter (see BACKWASH under filter and control valve functions).
- NOTE: During initial clean-up of the pool water it may be necessary to backwash frequently due to the unusually heavy initial dirt load in the water.

REPLACEMENT PARTS OF FILTER



Key No.	Part No.	Product Description	Qty
1	01111100	Star-Shaped Nut	1
2	03042001	Bow-Shaped Metal Bar	1
3	02011155	O-Ring for Manhole	1
4	01161006	Manhole	1
5	89011313	S1000C Filter Tank With Base	1
	89011314	S1200C Filter Tank With Base	1
6	89280804	2.5" Side Mount Valve	1
7	06011029	Oil Pressure Gauge With O-ring (40 psi)	1
	01111048	Connector for Pressure Gauge/Stopper	1
8	89280117	Connector Plate Side Mount	1
9	89011309	S1000C Top part of the inner tank system	1
	89011310	S1200C Top part of the inner tank system	1
10	89011311	S1000C Bottom part of the inner tank system	1
	89011312	S1200C Bottom part of the inner tank system	1
11	01110030	Tank System Support	2
12	89011307	S1000C Air Vent Pipe	1
	89011308	S1200C Air Vent Pipe	1
13	89011319	S1000C Laterals(185mm+129mm+126mm)	8
	89011320	S1200C Laterals(233mm+129mm+126mm)	8
14	89010107	Water Drain Set	1

REPLACEMENT PARTS OF MULTIPORT VALVE

Item No.	Part No.	Product Description	Qty
1	01013003	Handle (Big)	1
2	03018008	Pin for Handle	1
3	01181027	Washer for Handle (White)	1
4	89281204	M6*33 T Screw with Nut	12
5	01021129	2.5" Side Mount Valve Standard Lid (White)	1
6	02010228	O-Ring for 2.5" Valve Lid	1
7	02011022	O-Ring for 2.5" Valve Rotor	2
8	01181002	Washer for Spring (White)	1
9	03014025	Spring for 2.5" Side Mount Valve	1
10	89280806	2.5" Valve Rotor With Spider Gasket	1
11	01021128	2.5" Side Mount Valve Bottom Body (White)	1
12	06011032	Oil Pressure Gauge with O-ring (40Psi)	1
13	02020053	O-Ring for 2.5" Union	7
14	01171159	2.5" Union (White)	2
15	01150180	2.5" PVC Tube 90mm	2
16	01150181	2.5" Elbow Tube	1
17	01150180	2.5" PVC Tube 270mm	1
18	01013147	2.5" Connector (Black)	2
	01051243	2.5" Connector (white)	3
19	01171158	2.5" Union (A/E) (white)	5
20	02010043	O-Ring for Union Adaptor	5
21	01013142	2.5" Side Mount Valve Plug (White)	2
22	89280104	Sight Glass With O-Ring	1
23	01111048	Connector for Pressure Gauge/Stopper (White)	2
24	89021303	Drain Plug with O' Ring (White)	2
25	01013143	2.5" Connector (White)	3

